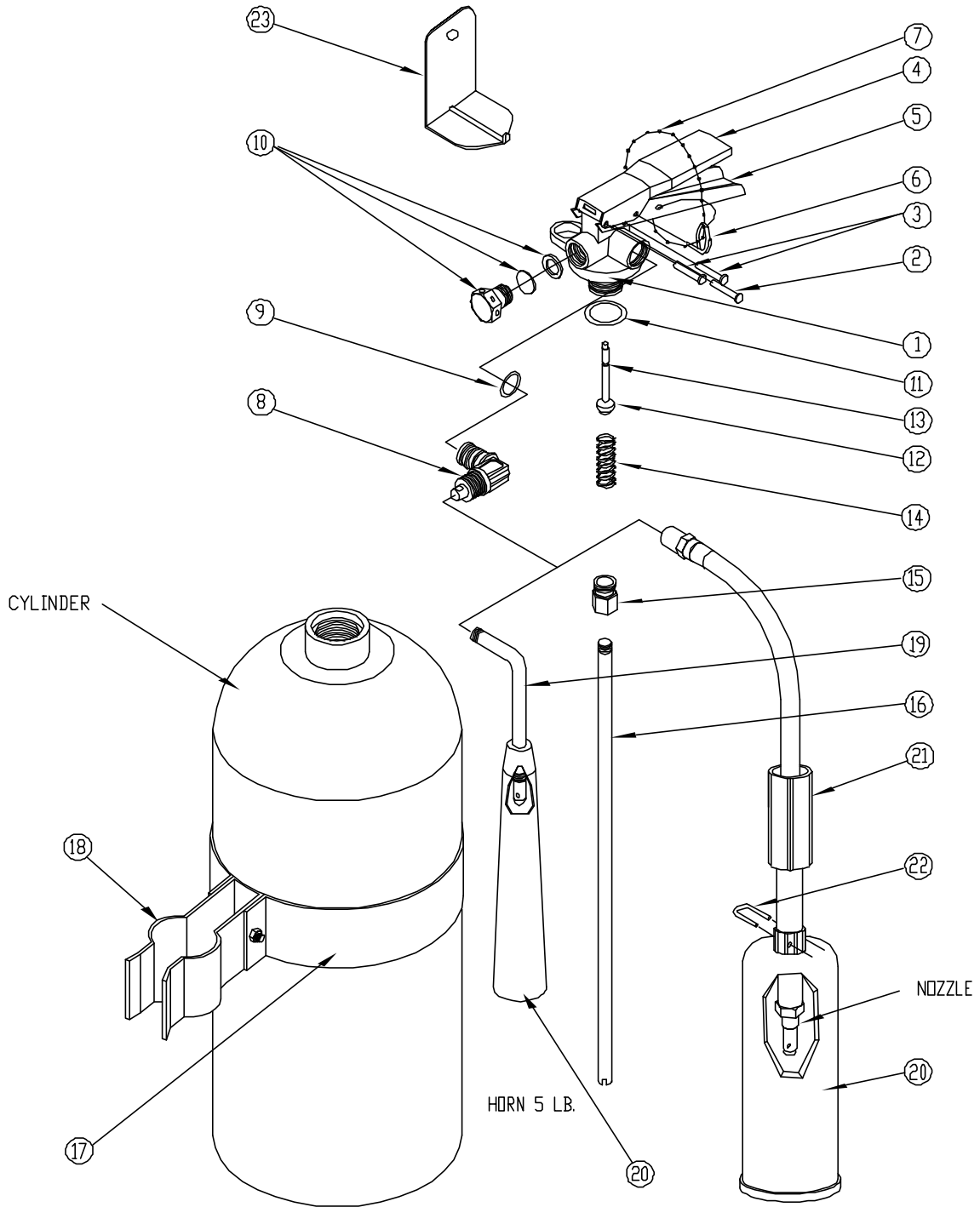


PARTS LIST
 PORTABLE CARBON DIOXIDE
 FIRE EXTINGUISHERS
 ALUMINUM CYLINDER



HORN 10, 15 & 20 LB.