



## FOAM PROPORTIONING EQUIPMENT

### VERTICAL & HORIZONTAL BLADDER TANKS

#### DESCRIPTION

Buckeye Bladder Tanks store foam concentrate and are one component of a Balanced Pressure Foam System. They require no external power, other than a supply of water to ensure proper operation. The Vertical and Horizontal Bladder tanks are designed and constructed in accordance with the latest revisions to ASME code, Section VIII for unfired pressure vessels. They have a working pressure of 175 PSI and they are tested to one and one half times this pressure.

#### SPECIFICATIONS

The tank shell is constructed of steel, complying with ASME specifications, possessing a tensile strength of not less than 70,000 PSI. The circumferential, as well as the longitudinal body seam, shall be machine welded. The tank interior shall be sand blasted white and have all welds and edges ground smooth.

The tank shell water inlet will be screened to prevent bladder blow out or the entrapment of debris between the tank shell and the bladder. All other openings greater than 1" shall be screened to prevent bladder blowout.

The vertical tank assembly is supported by four legs providing easy access to the bladder drain/fill valve and the tank shell drain/ fill valve. Four mounting holes are provided for anchoring the tank. The horizontal tank assembly is supported on two saddles welded to the tank and fitted with anchoring holes.

#### FEATURES

.L. Listed & F. M. Approved.

The bladder is manufactured of nylon reinforced Buna-N. The bladder material shall have a Mullen burst pressure in excess of 800 PSI and constructed to conform to the inside dimensions of the tank.

The tanks are provided with four (4) legs for greater stability.

Tanks are supplied with brass trim valves with Teflon™ seats and permanently mounted to the tank.

- All valves are labeled showing normal working position.
- Lifting lugs are permanently welded to the tank with eyes of approximately 1 1/2" in diameter.
- Both the vertical and horizontal tanks contain a perforated PVC center tube that permits full agent discharge.
- All tanks are approximately 10% oversized to allow for any thermal expansion of the foam concentrate.
- All tanks supplied with a label identifying type of foam concentrate the system is designed for, the percentage ratio and tank size.
- Standard tanks are painted red enamel.

#### OPTIONS

- Coal tar epoxy for coating the interior shell of the tank (for use in a salt water environment.)
- Sight glass.
- Proportioner pre-piped onto tank assembly.
- Primed red epoxy finish.
- Custom fabrication of specialty materials dimensions and capacities.
- Actuated valves water/concentrate.
- Stainless steel trim.
- Special paint colors.
- Insulation and heater packages.



**DIMENSIONS**

SIZE	A DIA	B L HOR	C H HOR	D H VER	WGT
36	24			53	390
50	24			62	470
75	24			78	600
100	24	73	49	91	720
150	36			73	1050
200	36	72	60	86	1320
250	36	85	60	100	1480
300	36	95	60	110	1600
350	36	109	60	124	1800
400	36	121	60	136	2000
450	36	135	60	150	2175
500	48	89	73	104	2350
600	48	105	73	120	2800
700	48	123	73	137	3050
800	48	135	73	155	3400
1000	48	159	73	176	3900
1070	60	118	84	133	4100
1200	60	129	84	150	4370
1350	60	141	84	158	4700
1600	72	123	96	140	5130
1800	72	135	96	155	5510
2000	72	148	96	167	6030
2300	84	130	108	148	6610
2500	84	142	108	158	6850
2800	84	153	108	169	7500
3300	84	178	108	194	8575
3900	84	202	108	118	9925
4400	84	226	108	142	10925
5000	84	250	108	165	12000
5200	96	210	120	225	12400
5900	96	233	120	249	13200
6600	96	258	120	273	14200
7300	96	282	120	298	15600
8000	96	306	120	322	17000

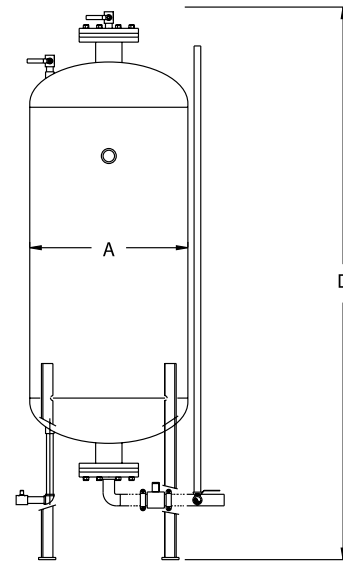
Water inlets are 2" NPT on tanks up to 450 gallons. For tank capacities over 450 gallons and up to 5000 gallons, water inlets are 3" NPT. For tanks over 5,200 gallons, the water inlets are 4"

The standard foam concentrate outlet is grooved, flanged or threaded. Outlets are available to meet customer requirements.

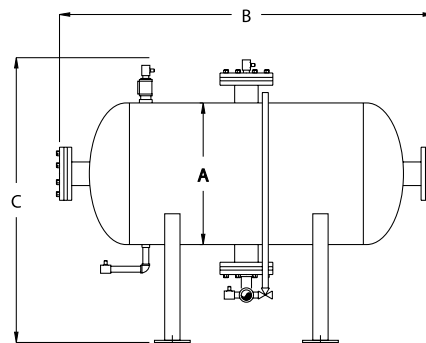
**ORDERING INFORMATION**

When ordering Buckeye Tanks, it is necessary to provide the following information:

- Type of tank required; Vertical or Horizontal.
- Size of tank.
- Exterior finish of tank.
- Whether required for salt water environment.
- Any other options required.

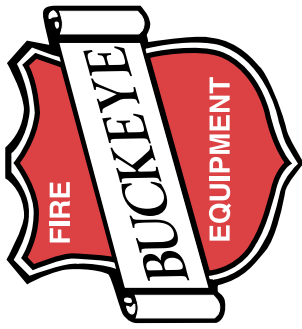


**VERTICAL BLADDER TANK**  
Available in 36 to 8000 gallon capacities



**HORIZONTAL BLADDER TANK**  
Available in 100 to 8000 gallon capacities

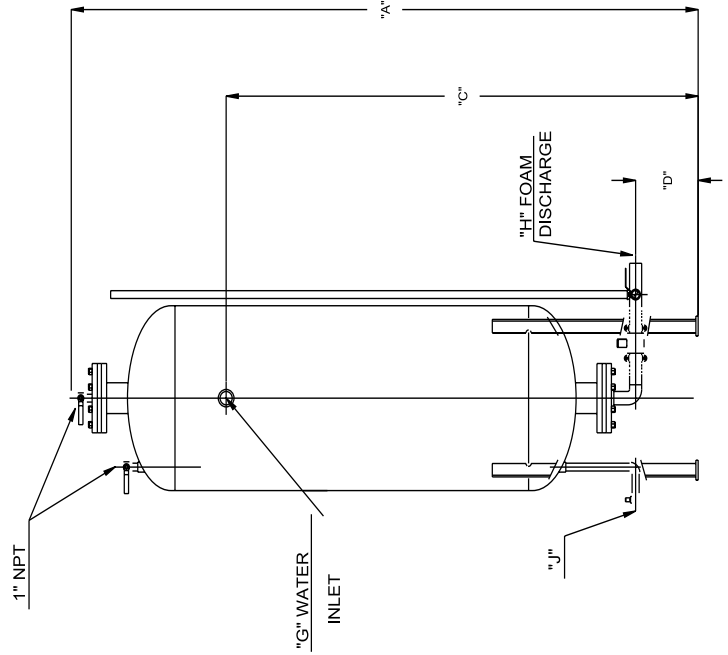
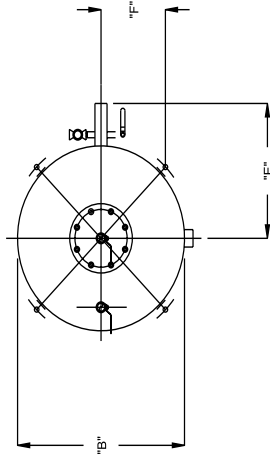




# FOAM PROPORTIONING EQUIPMENT

## VERTICAL BLADDER TANK

SIZE	A	B	C	D	E	F	G	H	J
36	51	24	35	7 1/2	16	9 1/2	2	2	1
50	59	24	43	7 1/2	16	9 1/2	2	2	1
75	75	24	59	7 1/2	16	9 1/2	2	2	1
100	87	24	71	7 1/2	16	9 1/2	2	2	1
150	69	36	51	7 1/2	22	9 1/2	2	2	1
200	83	36	65	7 1/2	22	9 1/2	2	2	1
250	97	36	79	7 1/2	22	9 1/2	2	2	1
300	107	36	89	7 1/2	22	9 1/2	2	2	1
350	121	36	103	7 1/2	22	9 1/2	2	2	1
400	133	36	115	7 1/2	22	9 1/2	2	2	1
450	147	36	129	7 1/2	22	9 1/2	2	2	1
500	101	48	79	6	28	12	3	3	1
600	117	48	95	6	28	12	3	3	1
700	135	48	113	6	28	12	3	3	1
800	153	48	131	6	28	12	3	3	1
1000	173	48	151	6	28	12	3	3	1 1/2
1070	131	60	107	6	34	15	3	3	1 1/2
1200	143	60	119	6	34	15	3	3	1 1/2
1350	155	60	131	6	34	15	3	3	1 1/2
1600	137	72	110	6	40	18	3	3	1 1/2



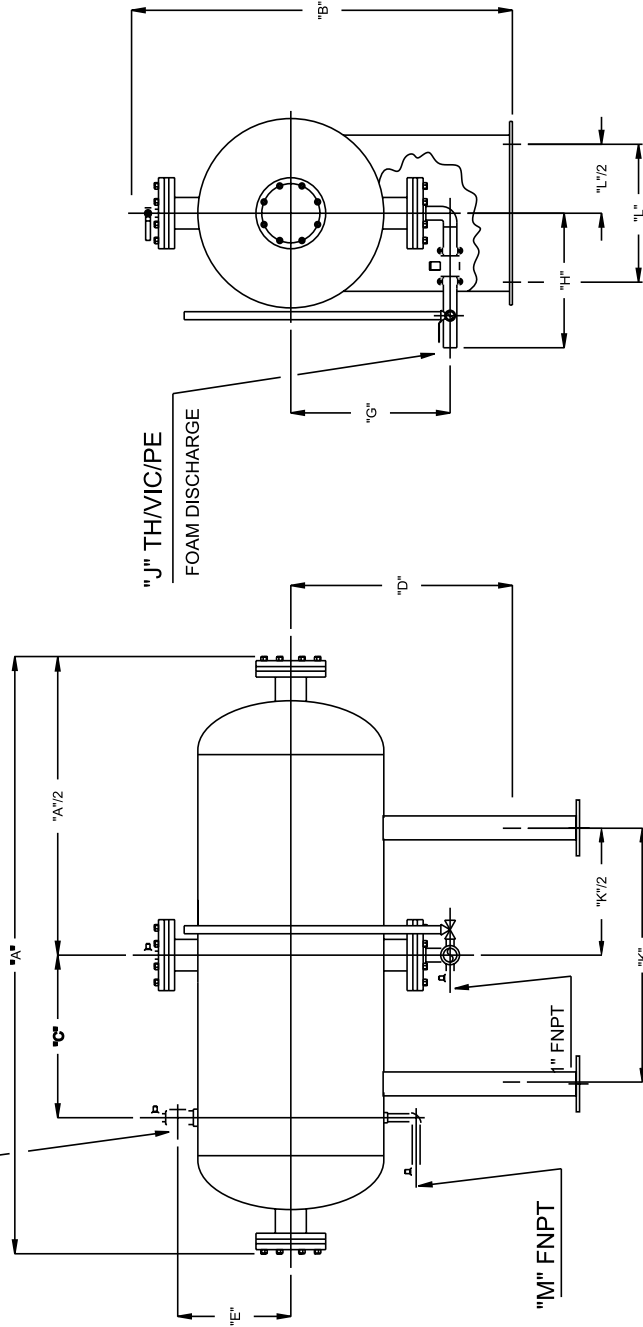


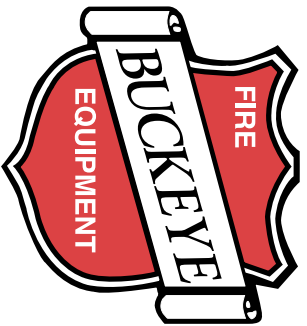
# FOAM PROPORTIONING EQUIPMENT

## HORIZONTAL BLADDER TANK

SIZE	A	B	C	D	E	F	G	H	J	K	L	M	WGTT
100	75"	42"	21"	27"	19"	2"	19-1/2"	16	2"	28"	18"	1"	735
200	72"	54"	21"	33"	25"	2"	25-1/2"	22	2"	19"	27"	1"	1325
250	84"	54"	24"	33"	25"	2"	25-1/2"	22	2"	28"	27"	1"	1490
300	96"	54"	27"	33"	25"	2"	25-1/2"	22	2"	32"	27"	1"	1615
350	108"	54"	30"	33"	25"	2"	25-1/2"	22	2"	40"	27"	1"	1810
400	120"	54"	33"	33"	25"	2"	25-1/2"	22	2"	46"	27"	1"	2005
450	135"	54"	36"	33"	25"	2"	25-1/2"	22	2"	54"	27"	1"	2180
500	90"	66"	25"	39"	32"	3"	30"	28	3"	26"	36"	1"	2360
600	105"	66"	29"	39"	32"	3"	30"	28	3"	34"	36"	1"	2815
700	123"	66"	34"	39"	32"	3"	30"	28	3"	44"	36"	1"	3060
800	135"	66"	36"	39"	32"	3"	30"	28	3"	50"	36"	1"	3415
1000	159"	66"	43"	39"	32"	3"	30"	28	3"	68"	36"	1-1/2"	3920
1070	120"	78"	33"	45"	38"	3"	36"	34	3"	38"	48"	1-1/2"	4150
1200	132"	78"	34"	45"	38"	3"	36"	34	3"	44"	48"	1-1/2"	4375
1350	144"	78"	39"	45"	38"	3"	36"	34	3"	48"	48"	1-1/2"	4675
1600	125"	90"	45"	51"	44"	3"	42"	40	3"	36"	57"	1-1/2"	5140

"F" FNPT  
WATER INLET





# FOAM PROPORTIONING EQUIPMENT

## HORIZONTAL BLADDER TANK

SIZE	A	B	C	D	E	F	G	H	J	K	L	M	WGT
1800	135"	97"	37"	51"	19"	3"	45"	77-1/2"	3"	42"	57"	1-1/2"	5515
2000	147"	97"	43"	51"	25"	3"	45"	77-1/2"	3"	48"	57"	1-1/2"	6040
2300	130"	109"	31"	57"	25"	3"	51"	89-1/2"	3"	36"	66"	2"	6640
2500	144"	109"	37"	57"	25"	3"	51"	89-1/2"	3"	42"	66"	2"	6900
2800	156"	109"	43"	57"	25"	3"	51"	89-1/2"	3"	48"	66"	2"	7520
3300	180"	109"	55"	57"	25"	3"	51"	89-1/2"	3"	70"	66"	2"	8600
3900	201"	109"	67"	57"	25"	3"	51"	89-1/2"	3"	94"	66"	2"	9975
4400	225"	109"	79"	57"	25"	3"	51"	89-1/2"	3"	118"	66"	2"	10950
5000	249"	109"	91"	57"	32"	3"	51"	89-1/2"	3"	142"	66"	2"	12150
5200	207"	121"	67"	63"	32"	3"	58-3/4"	101-1/2"	4"	94"	78"	2"	
5900	231"	121"	79"	63"	32"	3"	58-3/4"	101-1/2"	4"	118"	78"	2"	
6600	255"	121"	91"	63"	32"	3"	58-3/4"	101-1/2"	4"	142"	78"	2"	
7300	279"	121"	103"	63"	32"	3"	58-3/4"	101-1/2"	4"	166"	78"	2"	
8000	306"	121"	115"	63"	38"	3"	58-3/4"	101-1/2"	4"	190"	78"	2"	

